

TeknikSAT

CENTRAL SATELLITE AND SECURITY SYSTEM CO.

YENI



TCM 8800 L
QPSK-A/V



TCM 8800 F
QPSK-A/V

USER'S MANUAL

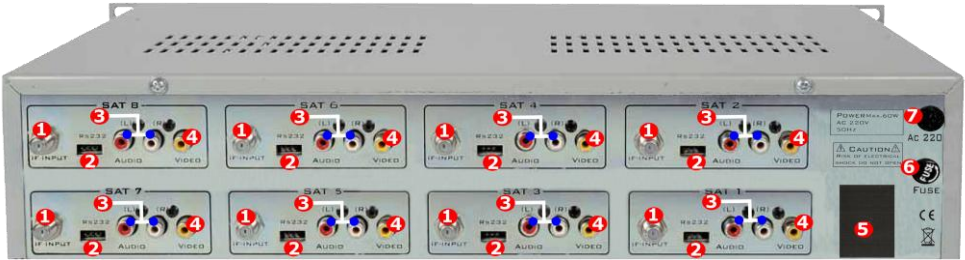
FRONT PANEL FUNCTIONAL



- 1- On-Off Switch** : for use to turn on and turn off of the device
- 2- Sat Select Button** : for use transition to the satellite receivers
- 3- Signal Light** : showing signal status of the satellite receiver you chosen
- 4 Power Light** : light indicator the operating status of device
- 5- Display** : 2 x 4 Digit LED indicator
- 6- OK Button** : to confirm the changes you made
- 7- ◀/▶ Left – Right Button** :for use to volume leveling and use for to choose left right
- 8- ▲/▼ Up – Down Button** : for use to channel changes and use for the choose up down
- 9- Menu Button** : for use to make some changes in the satellite receivers menu
- 10- 3.6 “ TFT LCD Screen** : you can monitor the process while you are doing



- 1- On-Off Switch** : for use to turn on and turn off of the device
- 2- Sat Select Button** : for use transition to the satellite receivers
- 3- Signal Light** : showing signal status of the satellite receiver you chosen
- 4 Power Light** : light indicator the operating status of device
- 5- Display** : 2 x 4 Digit LED indicator
- 6- OK Button** : to confirm the changes you made
- 7- ◀/▶ Left – Right Button** :for use to volume leveling and use for to choose left right
- 8- ▲/▼ Up – Down Button** : for use to channel changes and use for the choose up down
- 9- Menu Button** : for use to make some changes in the satellite receivers menu
- 10- 0.08 mA 12 V Cooling Fan** : for use to cooling of the device.

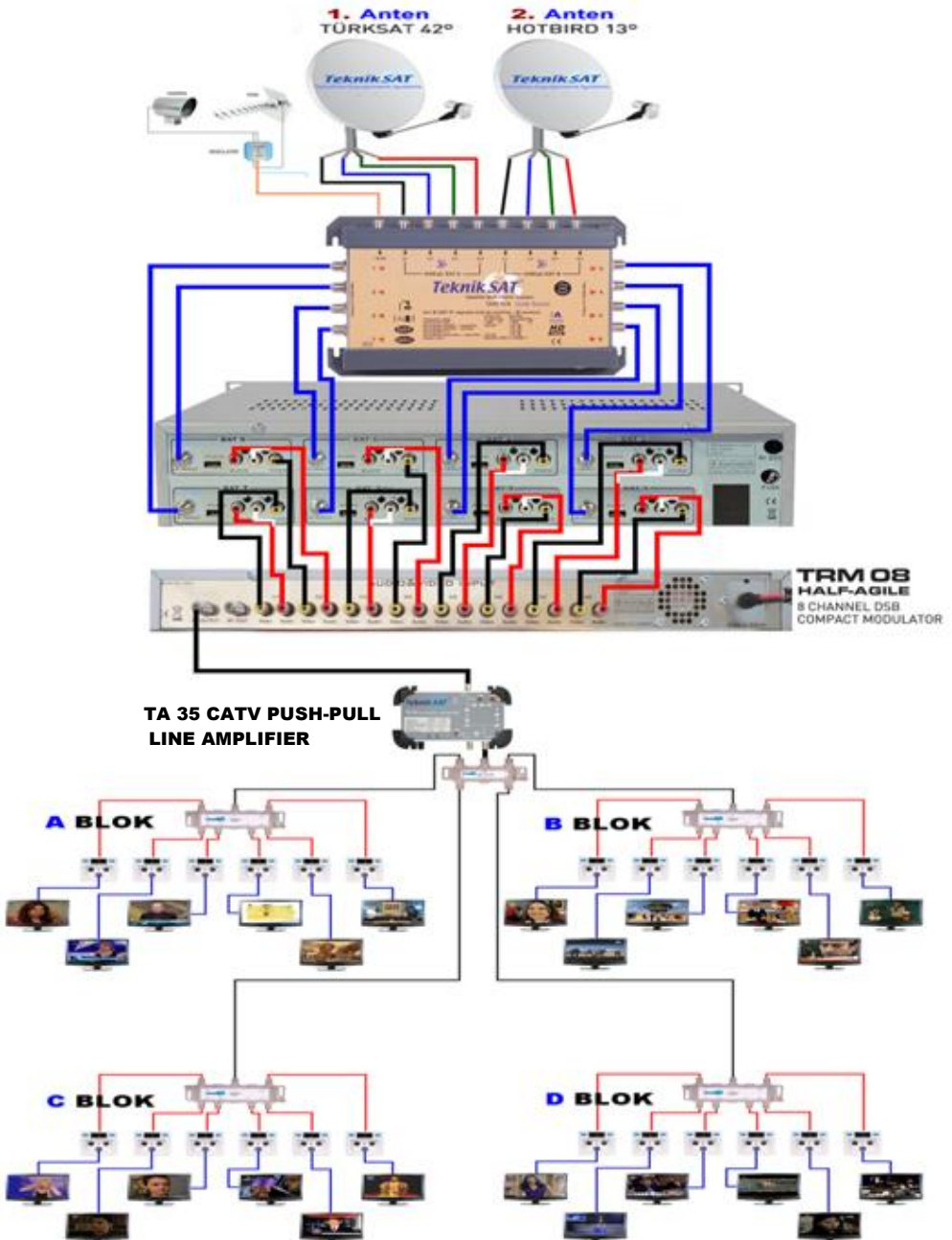


TCM 8800 L & TCM 8800 F

Rear Panel Connection Points

- 1- IF Input** : you can connect the cables from LNB or satellite multiswitches.
- 2- RS 232** : you can upgrade your receiver with this input
- 3- Audio** : you can make stereo audio output
- 4- Video** : you can make high quality video output
- 5- Fan** : fan is cooling and ventilating of device
- 6- Fuse** : to prevent the electrical malfunction there is a fuse in device
- 7- AC 220** : Power unit

CONNECTION TYPES



TCM 8800 L SPECIFICATIONS

Professional solution for the distribution of the satellite signal



- 8 Channel QPSK demodulator, Professional 19" standart, with suitable Mechanical structure long lasting use
- You can set your receiver with Sat Select button from the front panel
- LED display indicator for every unit in front panel
- You can set the sound as mono-stereo for every channle independently
- You can supply voltage from the 1. and 8. Module
- You can add channel manually with Video PID and Audio PID
- Software upgradable with RS 232 connection
- Compatible with the one side band and double side band modulator
- You can monitor the internal temperature continuously
- 90/270 VAC On-Off Switch power supply
- Auto cooling system
- 3.6 " TFT LCD Screen
- You can use this device in buses,ships and central satellite systems safely and without any issues

TCM 8800 F SPECIFICATIONS

Professional solution for the distribution of the satellite signal



- 8 Channel QPSK demodulator, Professional 19" standart, with suitable Mechanical structure long lasting use
- You can set your receiver with Sat Select button from the front panel
- LED display indicator for every unit in front panel
- You can set the sound as mono-stereo for every channle independently
- You can supply voltage from the 1. And 8. Module
- You can add channel manually with Video PID and Audio PID
- Software upgradable with RS 232 connection
- Compatible with the one side band and double side band modulator
- You can monitor the internal temperature continuously
- 90/270 VAC On-Off Switch power supply
- Auto cooling system
- You can use this device in buses,ships and central satellite systems safely and without any issues

MOUNTING

You have to fix the device first from the assembly slots in front panel of device

INSTALLATION

- **Dish Installation**

You can plug in the LNB cable or multiswitch cable directly to this devices 8 Sat IF Input in rear panel

- **Video – Audio Installation**

There is 8 video output in rear panel of device and you can separately out the video from this outputs to the RF modulator Also there is 8 audio output in rear panel of device and you can separately out the audio from this outputs to the RF modulator Your installation will be done when you finish this process

SETTINGS



- **Power Switch (On/Off Button) :**

If you are sure you have completed the process you can switch on the Front panel and then you will see the systems working.

- **Sat Select Button :**

Enter the number of receiver you want to tune with Sat Select Button from in the front panel of device **Sample** : select. to **SAT 7**



- **Menu Button :**

this button will show you the main menu or the satellite receivers menu you choosed

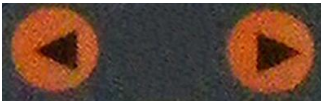


- **OK Button** : when you make changes in this device to confirm the changes you have to press this button

- **▲/▼ UP/Down Button** : you can change channel or move to cursor up and down in menu to pressing these buton in front panel or the remote control



- **◀/▶ Left/Right Button** : you can do volume leveling or move to cursor left and right in menu to pressing these buton in front panel or the remote control



- **● Signal Light Indicator** :



If there is good signal this light will be on.

- **● Power Light Indicator** :



If you connected the device correctly and if there is no electrical problem this light will be on

SETTINGS

- **2 x 4 Digit Display :**



It will show numerically the satellite and channel you choosed

- **3,6'' TFT LCD Renkli Ekran :**
you can monitor everything you have done in this LCD screen



Note : there is no monitor in the TCM 8800 F, but you can connect any television or screen to monitor what you have done



- **0.08 mA Cooling Fan :**
all this satellite receivers working in high performance because of this auto cooling fan

When you finish the setup process pressing the Sat Select Button you have to close the system with OFF option

Note : If you dont do any process in 30 sec. The device will be automatically closed

USING FAULTY

- Read the users manual carefully and follow the instructions step by step. If you cant fix the problem look at this table. If you stil cant fix the problem contact with technical Services.

Problems

Solutions

1. Not working :

Be sure about the power connection and check on/off switch

2. No Video :

Check the yellow color video inputs in rear panel

3. No Audio :

Check the red and white color audio inputs in rear panel

4. No Signal :

Check the LNB cable and connection

5. Over Temperature:

Check the fan working or not,if its not contact with technical Services

- **ISSUES MUST BE CONSIDERED**

- 1- Warranty is void if you try to change the original number on label and warranty paper
- 2- Anyone should not interfere of the device repair except for authorized personel.
- 3- Only technical Services determine the repair location and ways.
- 4- Warranty is void under this conditions write below
 - a) If connected an other external device.
 - b) Malfunctions caused by mains voltage.
 - c) Equipment failures caused by installation
 - c) Malfunctions during the transfer of device.
 - e) Malfunctions caused by misuse.
 - f) Malfunctions caused by the natural disasters.
- 5- warranty paper have to enclose the invoice number and invoice date and serial number.

TeknikSAT

CENTRAL SATELLITE AND SECURITY SYSTEM CO.



Company Name : RFT RADIO FREQUENCY TELECOMMUNICATIONS TECHNOLOGIES

Center : Altınşehir Cad. Konutbirlik Alanı Olimpia İş Merkezi No:92-93

Yenidoğan / Halkalı / İstanbul / TÜRKİYE